



**ELECTRICAL HEATING FOR HIGH POWER**

**1. Boiler heating elements for water and other liquids.**

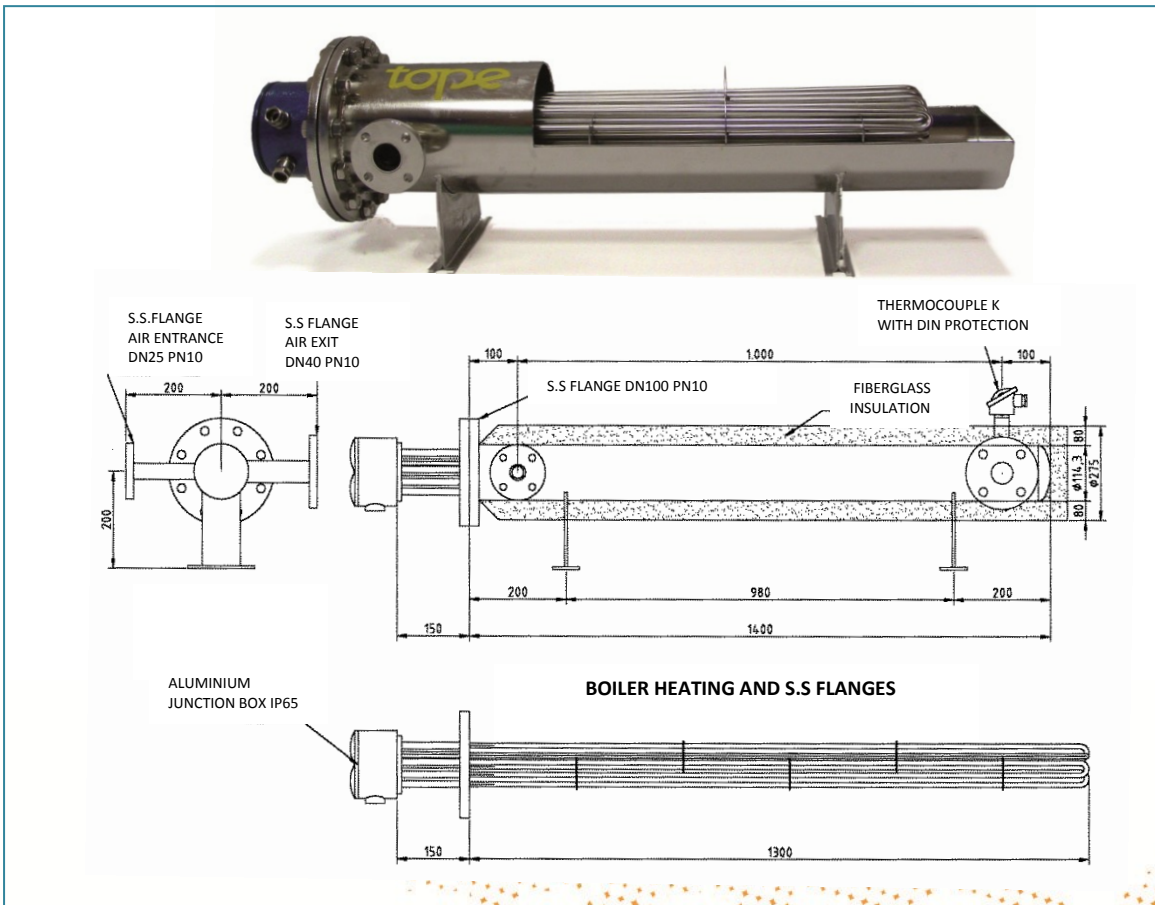
Flanged immersion heaters designed for high powers, with DIN or ANSI flanges. Length depends on power capacity. Consult our Technical department.

**Applications:** Used in plants with a fluid process which requires heat at some points. Steam heating, electrical boilers, etc..

**Materials:** depending on the application.



\* Special voltage, watts, dimensions and shapes manufactured on request



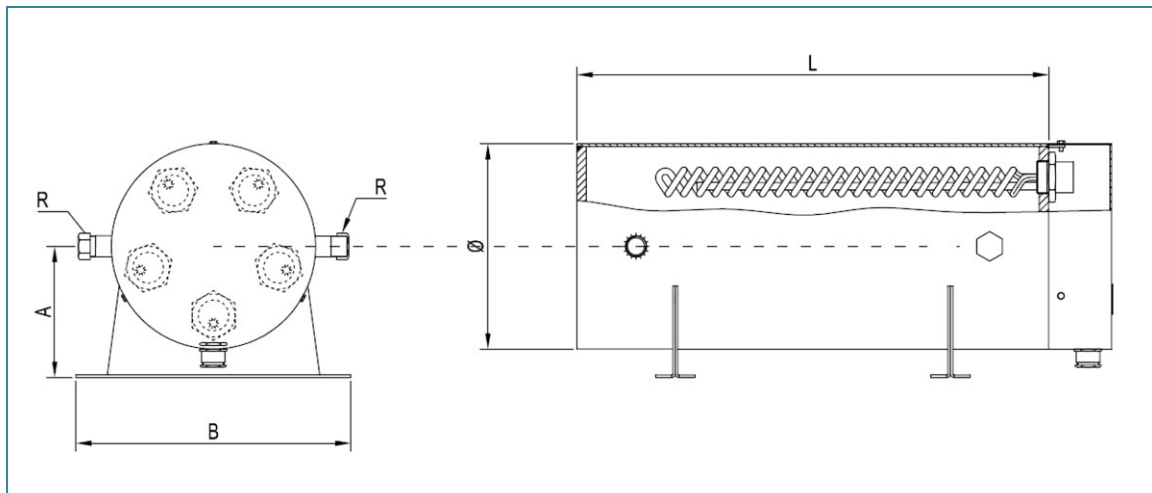


**2. Circulation heaters for water or fuel-oil.**

These heaters consist of a pipe body, end caps and ZGR heating elements. There is no need for a connection through contactors.

Applications: Overheated water circuits, central heating, oils, fuel-oil, etc.

Materials: Depending on the application.



**Circulation heater CP-1**

Ref.	Kw	n.º hairpins	A	B	R	Ø mm	L. mm	Cap(l)
D-1863A	6	2	120	270	1/2"	180	600	15
D-1863B	9	3	120	270	1/2"	180	600	15
D-1863C	12	4	120	270	1/2"	180	600	15
D-1863D	15	5	160	350	3/4"	260	600	30
D-1863E	18	6	160	350	3/4"	260	600	30
D-1863F	21	7	160	350	3/4"	260	600	30

**Circulation heater CP-2**

Ref.	Kw	n.º hairpins	A	B	R	Ø mm	L. mm	Cap(l)
D-1868A	27	9	160	350	3/4"	260	1100	55
D-1868B	37	11	160	350	3/4"	260	1100	55
D-1868C	39	13	160	350	3/4"	260	1100	55
D-1868D	42	14	160	350	3/4"	260	1100	55
D-1868E	54	18	240	420	1"	390	1100	125
D-1868F	60	20	240	420	1"	390	1100	125
D-1868G	72	24	240	420	1"	390	1100	125

\* Special voltage, watts, dimensions and shapes manufactured on request